

Butterfly valves

蝶阀

Valvole a farfalla

Absperrklappen


FEATURES

- Ideally suited for flow control using minimal piping space.
- 100% factory tested.
- Minimal pressure drop.
- Low maintenance.
- Resistance to many inorganic chemicals.
- Excellent flow characteristics.
- Good mechanical strength.
- PVC-U body.
- Sizes from 63 mm to 250 mm (2" - 10").
- Available standards: ISO/DIN, ANSI/ASTM, British Standard, JIS.
- Rubber seal available in EPDM or Viton®.
- Electric and pneumatic actuators available.

特点

- 利用最小的管道空间来实现理想的水流控制
- 100%工厂测试
- 压力最小时也能保持密封
- 保养简单
- 抗多种无机化学药物
- 高流速
- 好的机械强度
- PVC-U阀体
- 尺寸范围63 - 250 mm (2" - 10").
- 参考标准: ISO/DIN, ANSI/ASTM (美国材料实验协会) .BS (英国标准) .JIS (日本工业标准)
- 可选EPDM或Viton®橡皮密封
- 可选电动和气动装置

CARATTERISTICHE

- Indicata per il controllo dei fluidi e di ingombri ridotti.
- Testate al 100% in fabbrica.
- Minime perdite di carico.
- Resistente a molti composti chimici inorganici.
- Eccellenti caratteristiche di conduzione.
- Buona resistenza meccanica.
- Corpo in PVC-U.
- Dimensini da 63 mm a 250 mm (2" - 10").
- Standards disponibili: ISO/DIN, ANSI/ASTM, British Standard, JIS.
- Guarnizione corpo disponibile in EPDM o Viton®.
- Disponibili con attuatori elettrici o pneumatici.

KENNDATEN

- Ideal für minimalen Einbauplatz.
- 100% fabrikgetestet.
- Minimaler Druckverlust.
- Widerstandsfähig gegen die meisten anorganischen Meiden.
- Exzellentes Strömungsverhalten.
- Gute mechanische Festigkeit.
- PVC-U Gehäuse.
- Dimensionen von 63 mm bis 250 mm (2" - 10").
- In verschiedenen Standards erhältlich: ISO/DIN, ANSI/ASTM, British Standard, JIS.
- Dichtungen in EPDM oder Viton®.
- Mittels elektrischen und pneu-matischen Stellantrieben automatisierbar.

COMPONENTS

Available as spare parts.

组件

零件配置图


COMPONENTI

Disponibili come ricambi.

EINZELTEILE UND KOMPONENTEN

Als Ersatzteile erhältlich.



| 图表 | Parts | 部件 | Parti | Teil | Material |
|----|----------------|------|-------------------|------------------|---|
| 1 | Body | 阀体 | Corpo | Gehäuse | PVC-U |
| 2 | Valve disc | 蝶阀阀芯 | Lente | Klappenteller | PVC-U |
| 3 | Rubber seal | 橡皮密封 | Guarnizione corpo | Klappendichtring | EPDM / FPM |
| 4 | Shaft | 轴杆 | Perno | Achse | AISI 316 Stainless Steel or Zinc plated steel |
| 5 | O-Ring seal | 形圈 | O-ring perno | Achsendichtring | EPDM / FPM |
| 6 | Top Bearing | 塞盖 | Boccola | Lagerbuchse | PE |
| 7 | Throttle plate | 刻度盘 | Gruppo divisore | Rasterplatte | Aluminium |
| 8 | Lever-lock | 手柄锁 | Leva di blocco | Stellhebel | Aluminium |
| 9 | Handle | 手柄 | Maniglia | Handhebel | Aluminium |

TECHNICAL CHARACTERISTICS

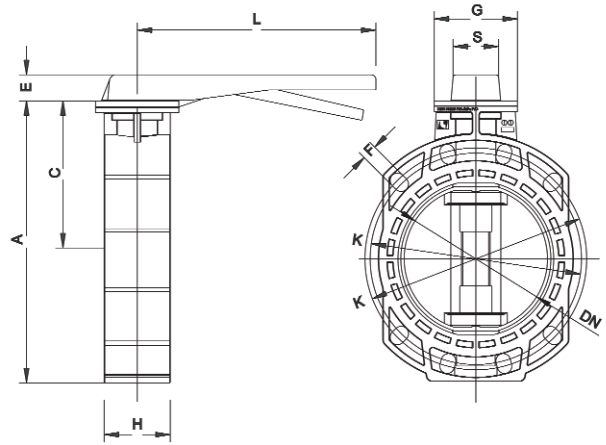
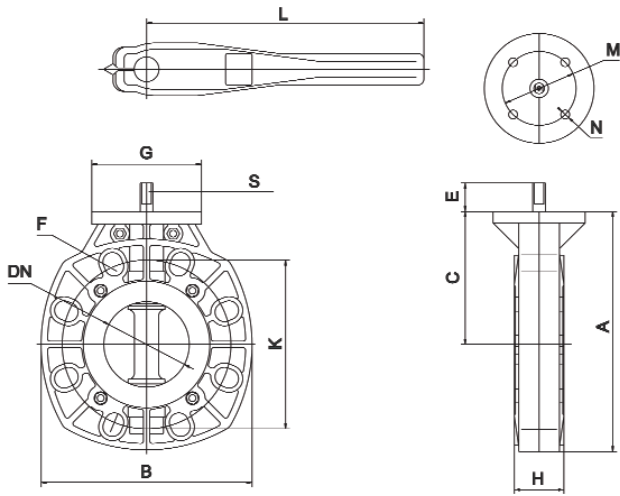
技术特点

CARATTERISTICHE TECNICHE

ABMESSUNGEN / BAUMASSE

D63 - D225

D250



| D | A | B | C | E | F | G | H | K | L | M | N | S | ∅ | T | | | | | | | | | | | | | |
|---------|------|-----|-------|-----|-------|-----|------|----|------|-------|-------------|-----|------|-----|------|---------|-------------|-----|-------|-----|------|----|------|----|------|----|------|
| mm | " | mm | " | mm | " | mm | " | mm | " | mm | " | mm | mm | mm | | | | | | | | | | | | | |
| 63-75 | 2-2½ | 192 | 7,56 | 165 | 6,50 | 110 | 4,33 | 27 | 1,06 | 18x4 | 0,71 x 0,16 | 104 | 4,09 | 48 | 1,89 | 125/145 | 4,92/5,71 | 228 | 8,98 | 70 | 2,76 | 9 | 0,35 | 10 | 0,39 | 7 | 0,27 |
| 90 | 3 | 227 | 8,94 | 200 | 7,87 | 126 | 4,96 | 27 | 1,06 | 18x8 | 0,71 x 0,31 | 104 | 4,09 | 53 | 2,09 | 160/169 | 6,30/6,65 | 263 | 10,35 | 70 | 2,76 | 9 | 0,35 | 12 | 0,47 | 8 | 0,31 |
| 110 | 4 | 271 | 10,67 | 229 | 9,02 | 156 | 6,14 | 30 | 1,18 | 18x8 | 0,71 x 0,31 | 104 | 4,09 | 60 | 2,36 | 180/190 | 7,09/7,48 | 263 | 10,35 | 70 | 2,76 | 9 | 0,35 | 16 | 0,63 | 8 | 0,31 |
| 125-140 | 5 | 297 | 11,69 | 250 | 9,84 | 172 | 6,77 | 30 | 1,18 | 18x8 | 0,87 x 0,31 | 104 | 4,09 | 66 | 2,60 | 190/210 | 7,48/8,27 | 350 | 13,78 | 70 | 2,76 | 9 | 0,35 | 20 | 0,79 | 14 | 0,55 |
| 160 | 6 | 327 | 12,87 | 285 | 11,22 | 185 | 7,28 | 30 | 1,18 | 22x8 | 0,87 x 0,31 | 104 | 4,09 | 72 | 2,83 | 240 | 9,25 | 350 | 13,78 | 70 | 2,76 | 9 | 0,35 | 20 | 0,79 | 14 | 0,55 |
| 200-225 | 8 | 400 | 15,75 | 340 | 13,39 | 230 | 9,06 | 30 | 1,18 | 22x8 | 0,87 x 0,31 | 136 | 5,35 | 73 | 2,87 | 270/295 | 10,63/11,61 | 390 | 15,35 | 102 | 4,02 | 11 | 0,43 | 26 | 1,08 | 18 | 0,71 |
| 250 | 10 | 450 | 17,72 | 319 | 12,56 | 250 | 9,84 | 37 | 1,46 | 24x12 | 0,94x0,47 | 136 | 5,35 | 108 | 4,25 | 345/362 | 13,58/14,25 | 390 | 15,35 | 102 | 4,02 | 11 | 0,43 | | | 22 | 0,87 |

TECHNICAL CHARACTERISTICS

技术特点

CARATTERISTICHE TECNICHE

TECHNISCHE EIGENSCHAFTEN

Working pressure at 20°C (73°F) water temperature:
 • D75 - D140 (2½" - 5"): PN 10
 • D160 - D250 (6" - 10"): PN 6

工作压力20°C (73°F)水温:
 • D75 - D140 (2½" - 5"): PN 10
 • D160 - D250 (6" - 10"): PN 6

Pressione di servizio a 20°C (73°F) temperatura dell'acqua:
 • D75 - D140 (2½" - 5"): PN 10
 • D160 - D250 (6" - 10"): PN 6

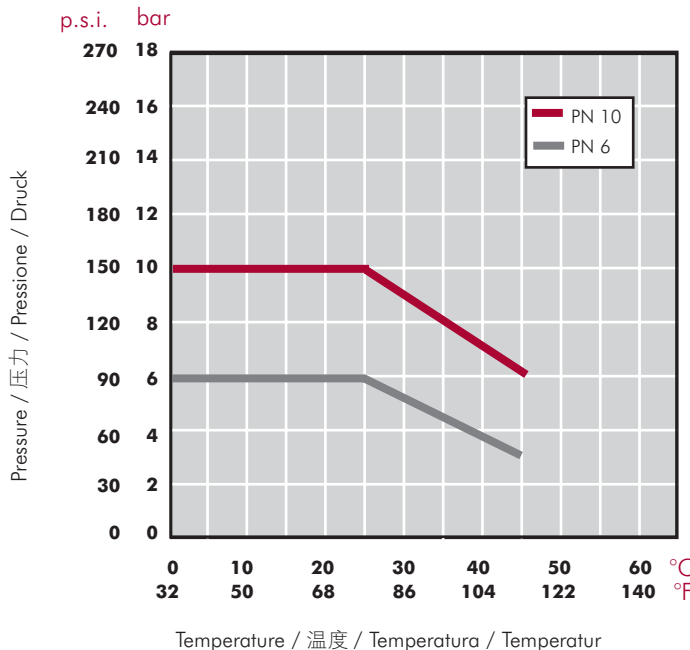
Arbeitsdruck bei 20°C (73°F) Wassertemperatur:
 • D75 - D140 (2½" - 5"): PN 10
 • D160 - D250 (6" - 10"): PN 6

PRESSURE / TEMPERATURE GRAPH

压力/温度表

DIAGRAMMA PRESSIONE / TEMPERATURA

DRUCK-TEMPERATUR-DIAGRAMM



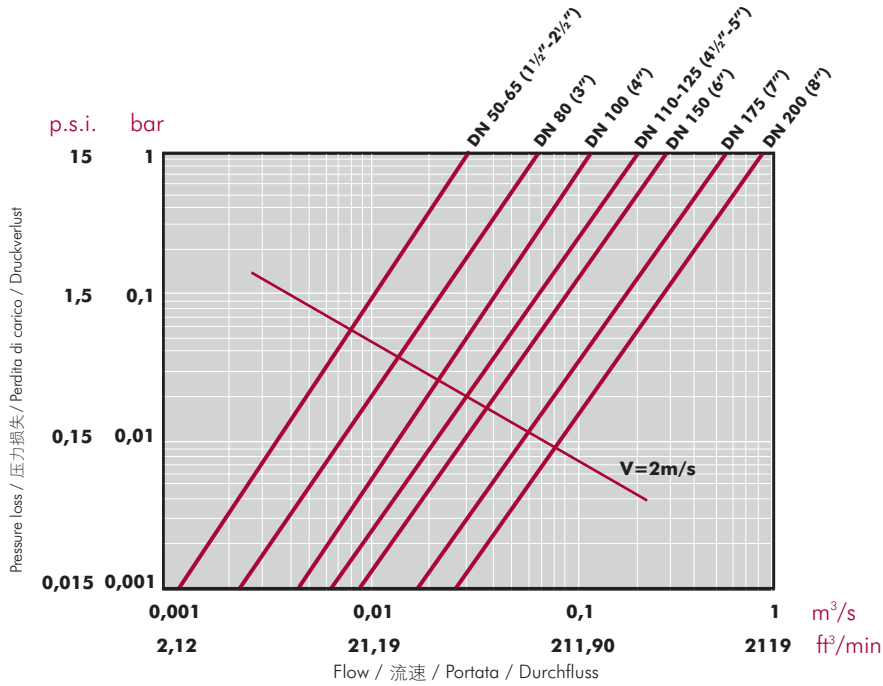
20 years / water flow
 20 年 / 水流量
 20 anni / fluido acqua
 20 Jahre / Wasserfluss

PRESSURE LOSS DIAGRAM

压力损失表

DIAGRAMMA DELLE PERDITE DI CARICO

DRUCKVERLUST-DIAGRAMM

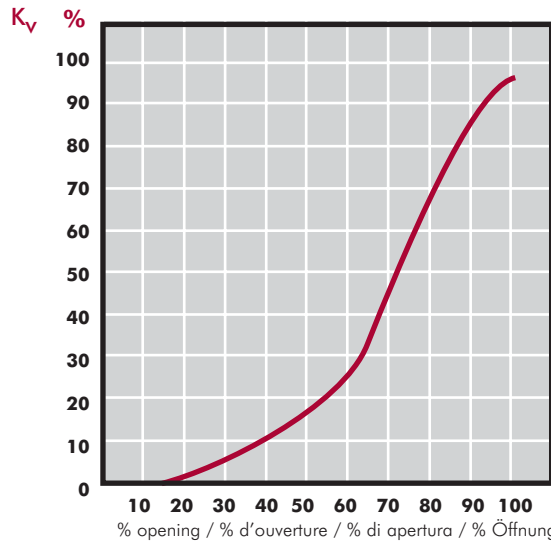


RELATIVE FLOW CHART

相对流速表

DIAGRAMMA DI FLUSSO RELATIVO

RELATIVER FLUSS-DIAGRAMM



| D | | K_{v100} | C_v |
|-----------|----------|------------|-------|
| 63 - 75 | 2" - 2½" | 1800 | 165 |
| 90 | 3" | 4020 | 185 |
| 110 | 4" | 8280 | 220 |
| 125 - 140 | 5" | 11760 | 230 |
| 160 | 6" | 16200 | 265 |
| 200 - 225 | 7" - 8" | 33000 | 315 |
| 250 | 10" | 52200 | 400 |

$C_v = K_v 100 / 14,28$
 K_{v100} (l/min, $\Delta p = 1$ bar)
 C_v (GPM, $\Delta p = 1$ p.s.i.)

TORQUE GRAPH

Maximum torque at maximum working pressure.

扭力表

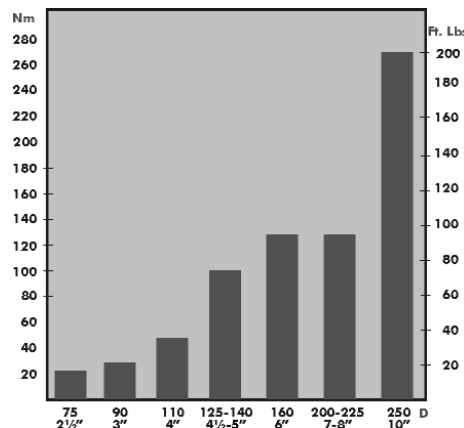
最大压强下的最大扭力

DIAGRAMMA DI COPPIA

Coppia di manovra alla pressione massima di servizio.

DREHMOMENT-DIAGRAMM

Arbeitsdrehmoment bei maximalen Betriebsdruck.



UP. 80. Z3

- Butterfly valve
- PVC-U body
- Blue dot
- Joints in EPDM
- Zinc plated steel shaft

- 蝶阀
- PVC-U 阀体
- 蓝点 (标示)
- EPDM 垫片
- 镀锌轴杆

- Valvola a farfalla
- Corpo in PVC-U
- Distintivo azzurro
- Guarnizione EPDM
- Perno in acciaio zincato

- Absperrklappe
- PVC-U Gehäuse
- Blauer Farbpunkt
- O-Ringe EPDM
- Achse Stahl verzinkt



| D | CODE | REF. | PN |
|-----------|-------|-----------|----|
| 63 - 75 | 02581 | 05 80 075 | 10 |
| 90 | 02582 | 05 80 090 | 10 |
| 110 | 02583 | 05 80 110 | 10 |
| 125 - 140 | 02585 | 05 80 140 | 10 |
| 160 | 02586 | 05 80 160 | 6 |
| 200 - 225 | 02587 | 05 80 200 | 6 |
| 250 | 15846 | 05 80 250 | 6 |

UP. 80. Z4

- Butterfly valve
- PVC-U body
- Green dot
- Joints in FPM (Viton®)
- Zinc plated steel shaft

- 蝶阀
- PVC-U 阀体
- 绿点 (标示)
- FPM (Viton®) 垫片
- 镀锌轴杆

- Valvola a farfalla
- Corpo in PVC-U
- Distintivo verde
- Guarnizione FPM (Viton®)
- Perno in acciaio zincato

- Absperrklappe
- PVC-U Gehäuse
- Grüner Farbpunkt
- O-Ringe FPM (Viton®)
- Achse Stahl verzinkt



| D | CODE | REF. | PN |
|-----------|-------|--------------|----|
| 63 - 75 | 02590 | 05 80 075 VI | 10 |
| 90 | 02591 | 05 80 090 VI | 10 |
| 110 | 02592 | 05 80 110 VI | 10 |
| 125 - 140 | 02594 | 05 80 140 VI | 10 |
| 160 | 02595 | 05 80 160 VI | 6 |
| 200 - 225 | 02596 | 05 80 200 VI | 6 |
| 250 | 16068 | 05 80 250 VI | 6 |

UP. 80. I3

- Butterfly valve
- PVC-U body
- Blue dot
- Joints in EPDM
- Stainless steel shaft (AISI 316)

- 蝶阀
- PVC-U 阀体
- 蓝点 (标示)
- EPDM 垫片
- 不锈钢轴杆 (AISI 316)

- Valvola a farfalla
- Corpo in PVC-U
- Distintivo azzurro
- Guarnizione EPDM
- Perno in acciaio inox (AISI 316)

- Absperrklappen
- PVC-U Gehäuse
- Blauer Farbpunkt
- O-Ringe EPDM
- Achse Edelstahl V4A (AISI 316)



| D | CODE | REF. | PN |
|-----------|-------|--------------|----|
| 63 - 75 | 16707 | 05 80 075 IN | 10 |
| 90 | 16708 | 05 80 090 IN | 10 |
| 110 | 16709 | 05 80 110 IN | 10 |
| 125 - 140 | 16710 | 05 80 140 IN | 10 |
| 160 | 16711 | 05 80 160 IN | 6 |
| 200 - 225 | 16712 | 05 80 200 IN | 6 |
| 250 | 22425 | 05 80 250 IN | 6 |

UP. 80. I4

- Butterfly valve
- PVC-U body
- Green dot
- Joints in FPM (Viton®)
- Stainless steel shaft (AISI 316)

- 蝶阀
- PVC-U 阀体
- 绿点 (标示)
- FPM (Viton®) 垫片
- 不锈钢轴杆 (AISI 316)

- Valvola a farfalla
- Corpo in PVC-U
- Distintivo verde
- Guarnizione FPM (Viton®)
- Perno in acciaio inox (AISI 316)

- Absperrklappen
- PVC-U Gehäuse
- Grüner Farbpunkt
- O-Ringe FPM (Viton®)
- Achse Edelstahl V4A (AISI 316)



| D | CODE | REF. | PN |
|-----------|-------|--------------|----|
| 63 - 75 | 16713 | 05 80 075 IV | 10 |
| 90 | 16714 | 05 80 090 IV | 10 |
| 110 | 16715 | 05 80 110 IV | 10 |
| 125 - 140 | 16716 | 05 80 140 IV | 10 |
| 160 | 16717 | 05 80 160 IV | 6 |
| 200 - 225 | 16718 | 05 80 200 IV | 6 |
| 250 | 22426 | 05 80 250 IV | 6 |